



Short description



- Aluminium-alloy IP65 single point load cell.
- Colourless anodized
- Suitable for pricing scales, bench scales, etc.
- Maximum platform size: 250 x 350 mm



test certificate no. TC7868 Revision 1
C of C no R60/2000-NL1-10.35



Certificate no. 11-012

Available models

Capacity	Accuracy	Full article description
2.5kg	C3 Excluded from OIML	L6D-C3-2.5kg-0.40B
3kg	C3/C4/C5	L6D-C3/C4/C5-3kg-0.40B
5kg	C3/C4/C5	L6D-C3/C4/C5-5kg-0.40B
6kg	C3/C4/C5	L6D-C3/C4/C5-6kg-0.40B
8kg	C3/C4/C5	L6D-C3/C4/C5-8kg-0.40B
10kg	C3/C4/C5	L6D-C3/C4/C5-10kg-0.40B
15kg	C3/C4/C5	L6D-C3/C4/C5-15kg-0.40B
20kg	C3/C4/C5	L6D-C3/C4/C5-20kg-0.40B
30kg	C3/C4/C5	L6D-C3/C4/C5-30kg-0.40B
35kg	C3/C4/C5	L6D-C3/C4/C5-35kg-0.40B
40kg	C3/C4/C5	L6D-C3/C4/C5-40kg-0.40B
50kg	C3/C4/C5	L6D-C3/C4/C5-50kg-0.40B

Specifications and dimensions are subject to change without notice and do not constitute any liability whatsoever.

Detailed specifications L6D

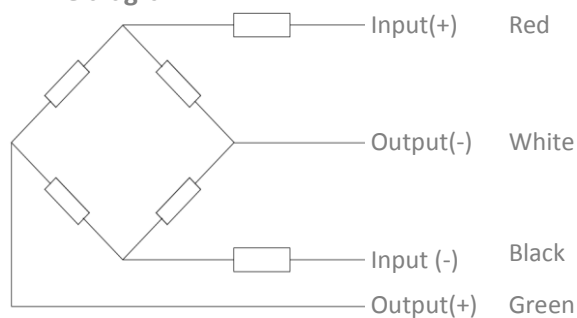
Accuracy class		C3	OIML R60 C3	OIML R60 C4	OIML R60 C5
Output sensitivity (= FS)	mV/V	1.8 ± 0.2	2.0 ± 0.2		
Maximum capacity (E _{max})	kg	2.5	3, 5, 6, 8, 10, 15, 20, 30, 35, 40, 50		
Max.number of load cell intervals	n _{LC}	3000	3000	4000	5000
Ratio of min. LC verification interval	Y = E _{max} / v _{min}	7000	10000	15000	20000
Combined Error	%FS	± 0.0230		± 0.0175	± 0.0140
Minimum dead load	Of E _{max}	0%			
Safe overload	of E _{max}	150 %			
Ultimate overload	of E _{max}	300 %			
Zero balance	of FS	< ± 2.0 %			
Excitation, recommended voltage	V	5 ~ 12			
Excitation maximum	V	18			
Input resistance	Ω	409 ± 6			
Output resistance	Ω	350 ± 3			
Insulation resistance	MΩ	≥5000 (at 50VDC)			
Compensated temperature	°C	-10...+40			
Operating temperature	°C	-35...+65			
Storage temperature	°C	-40...+70			
Element material		Aluminium			
Ingress Protection (acc. to EN 60529)		IP65			
Recommended torque on fixation	Nm	< 30kg: 6		>30kg: 10	

Wiring

Wiring:

Shielded, 4 conductor cable.
 Cable diameter: Ø3.8mm.
 Standard cable length: 0.40m
 Shield not connected to element.
 Cable jacket in PVC.

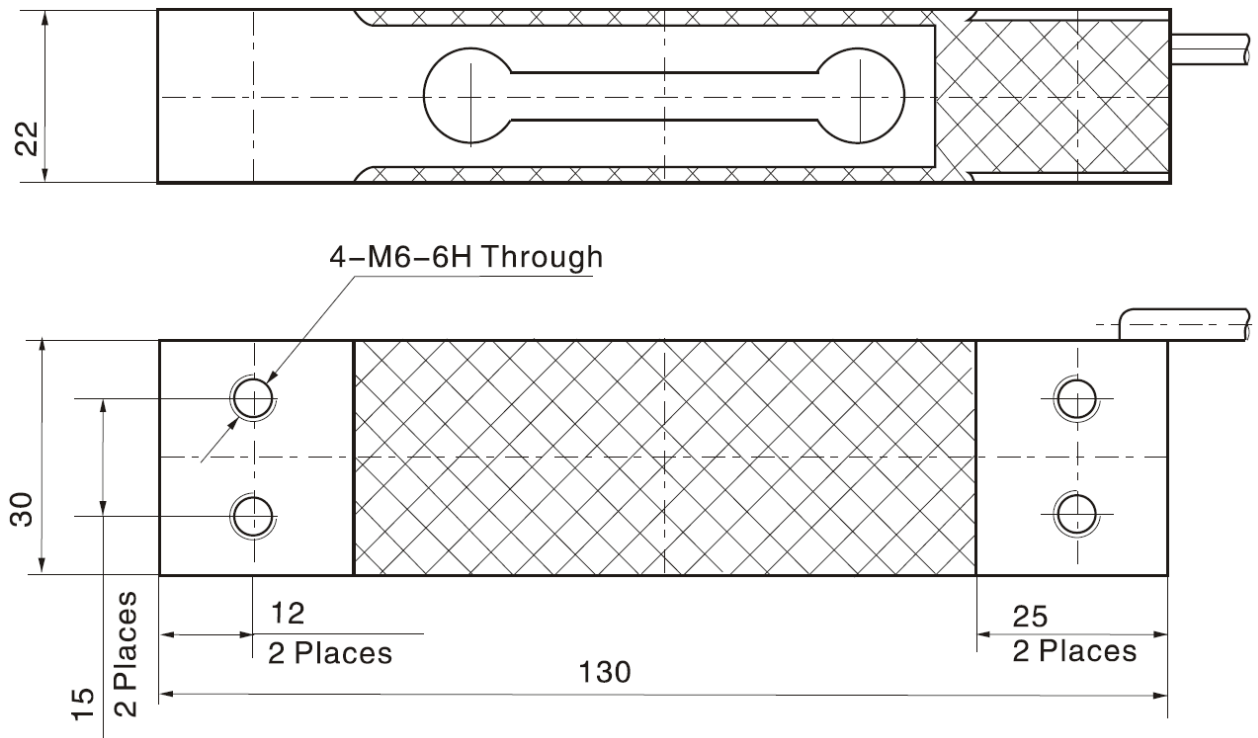
4-wire diagram



Specifications and dimensions are subject to change without notice and do not constitute any liability whatsoever.

Type L6D Load Cell

Dimensions in mm



Note: Screws M6 class 8.8, screw rinsed with oil. Torque as in specifications table

Specifications and dimensions are subject to change without notice and do not constitute any liability whatsoever.